

The GV sensor is intended for direct in-duct installation primarily in VAV boxes. It measures the air velocity across the cross-section of the duct. An output signal is then transferred to the measurement chamber in the VAV controllers TAC 224V and TAC 224VL.

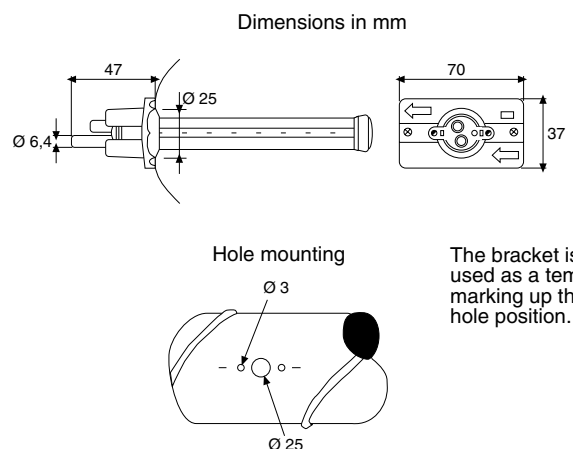
- Measures the mean value of the air velocity across the cross-section of the duct, which produces a very high accuracy of measurement.

- Impurities normally present in the duct, have accuracy of measurement.
- The GV can be used in all types of ducts, in existing as well as new VAV installations.
- Designed of two parts, a bracket and a tube, for simplified installation without special tools.
- It can be delivered for a large number of duct dimensions.

TECHNICAL DATA

Measuring range	1-16 m/s
Materials:	
Bracket	ABS plastic
Tube	aluminium
Duct diameter	Part number
63 mm	551-5010-063
80 mm	551-5010-080
100 mm	551-5010-100
125 mm	551-5010-125
160 mm	551-5010-160
200 mm	551-5010-200
250 mm	551-5010-250
315 mm	551-5010-315
400 mm	551-5010-400

The total length of tubing between the GV and the air flow controller should not exceed 1,5 m.



The diagram below shows the relationship between the air flow and the measure value signal of output YB on the VAV controllers TAC 224V and TAC 224VL.

