



INSTALLATION

FD5-P Pendant Mount



C3975M (6/14)

Contents

Important Safety Instructions	3
Description	4
Parts List	4
User-Supplied Parts List	4
Installation	5
Installing the Pendant Mount and the Adapter Plate	5
Installing the Back Box to the Adapter Plate	7
Adjusting the Pan/Tilt and Field of View	8
Installing the Lower Dome	9
Specifications	10

Important Safety Instructions

1. Read these instructions.
2. Keep these instructions.
3. Heed all warnings.
4. Follow all instructions.
5. Only use attachments/accessories specified by the manufacturer.
6. Installation should be done only by qualified personnel and conform to all local codes.
7. Use only installation methods and materials capable of supporting four times the maximum specified load.
8. Only use replacement parts recommended by Pelco.

Description

The FD5-P pendant mount is specifically designed for use with FD5 Series outdoor dome cameras.

PARTS LIST

The following installation tools and parts are supplied:

Qty	Description
------------	--------------------

- | | |
|---|---|
| 1 | FD5-P pendant mount |
| 1 | Tube of anti-seize lubricant |
| 4 | Screws, 8-32 Phillips pan head 5/8-inch |
| 2 | Screws, 8-32 Phillips pan head 3/8-inch |
| 1 | Installation manual |

USER-SUPPLIED PARTS LIST

The following installation tool and parts are needed but not supplied:

Qty	Description
------------	--------------------

- | | |
|---|--------------------------------|
| 1 | FD5 Series outdoor dome camera |
| 1 | FD-SC service cable |
| 1 | Phillips screwdriver |

Installation

Install your camera and FD5-P pendant according to the following procedures. Use the items provided in the product box and other tools as suggested in the *User-Supplied Parts List* on page 4.

INSTALLING THE PENDANT MOUNT AND THE ADAPTER PLATE

1. Route the wiring through the FD5-P pendant mount.
2. Apply anti-seize lubricant (supplied) to the threads of the FD5-P.
3. Thread the pendant mount to a 1.5-inch NPT pipe.

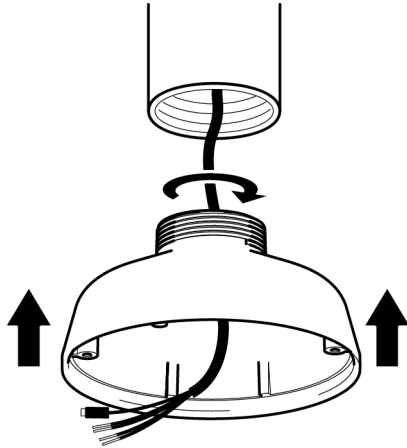


Figure 1. Installing the Pendant Mount

4. Install the adapter plate in the pendant mount:
 - a. Align the adapter plate screw holes with the tapped holes on the pendant mount. Be sure the FRONT label is facing the installer/user.
 - b. Slide the wiring through one of the breakout holes in the adapter plate.
 - c. Insert the two 3/8-inch Phillips pan head screws (supplied) through the holes in the pendant mount.
 - d. Tighten the screws completely to secure the adapter plate to the pendant mount.

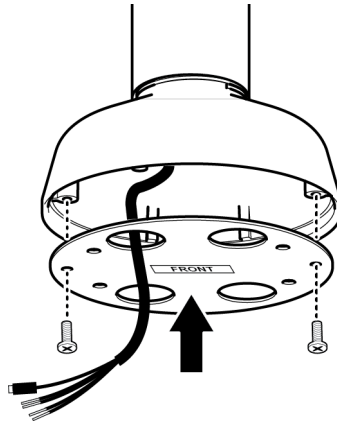


Figure 2. Installing the Adapter Plate

INSTALLING THE BACK BOX TO THE ADAPTER PLATE

1. If necessary, remove the lower dome assembly from the back box. The lower dome assembly will remain connected to the back box by its lanyard.
2. Install the back box to the adapter plate:
 - a. Align the back box with the four mounting screw holes on the adapter plate.
 - b. Connect the wiring from the camera with the wiring leads that extend through from the mounting pole.
 - c. Tuck the extra wiring up through the pendant mount.
 - d. Secure the back box in place on the adapter plate with the four 8-32 Phillips pan head screws (supplied) through the holes on the back box.
 - e. Reattach the lower dome assembly to the back box.

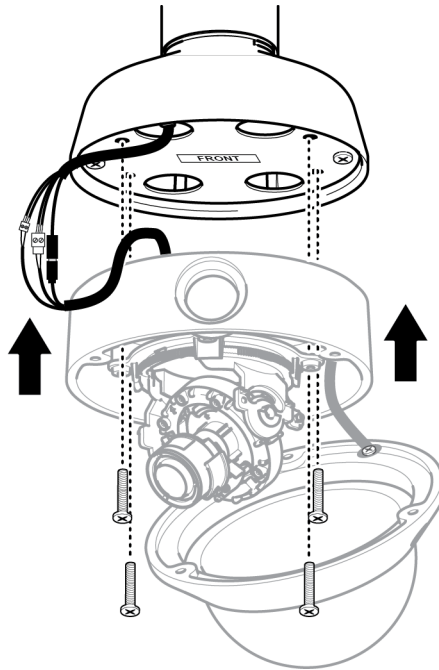



Figure 3. Installing the Back Box to the Adapter Plate

3. Apply power to the camera.

ADJUSTING THE PAN/TILT AND FIELD OF VIEW

1. Position the camera as needed:
 - a. View the camera image using the service port.
 - b. Manually rotate and tilt the camera module to position the camera. Do not over-rotate the module.

 **WARNING:** Excessively turning the module in one direction could result in damage to the wiring.

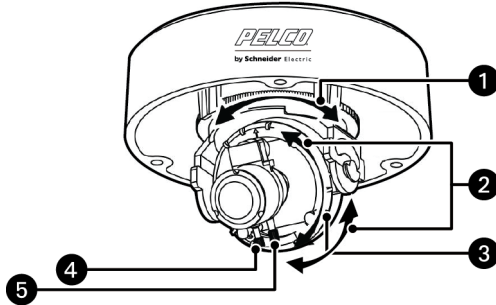


Figure 4. Adjusting the Pan and Tilt

- 1 Rotate the Camera for Horizontal Adjustments
 - 2 Tilt the Bracket and Screw for Vertical Adjustments
 - 3 Axis Ring for Horizontal Rotation for Wall Mounted and Tilted Ceilings
 - 4 Zoom Lever
 - 5 Focus Lever
2. Adjust the field of view:
 - a. Loosen the zoom locking screw.
 - b. Turn the zoom lever clockwise or counterclockwise to adjust the field of view.
 - c. Tighten the zoom locking screw.
 3. Focus the lens by manually adjusting the zoom and focus of the lens to the desired field of view.

INSTALLING THE LOWER DOME

1. Align the dome liner with the camera, and then snap it into place.

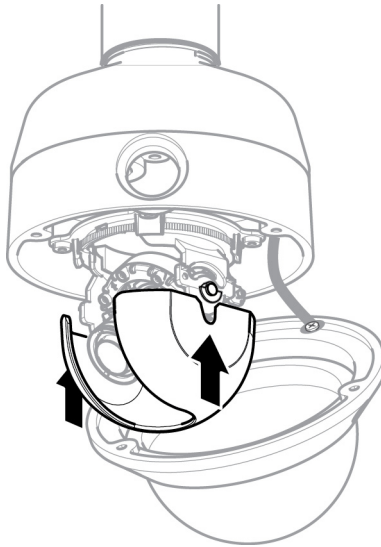


Figure 5. Installing the Dome Liner

2. Install the bubble and trim ring:
 - a. Place the bubble inside the trim ring.
 - b. Align the trim ring screws with the three mounting screw holes on the back box.
 - c. Push the bubble and trim ring onto the back box.
 - d. Tighten the pin-in-torx, tamper-resistant screws (supplied with FD5 Series cameras) to secure the trim ring to the back box.

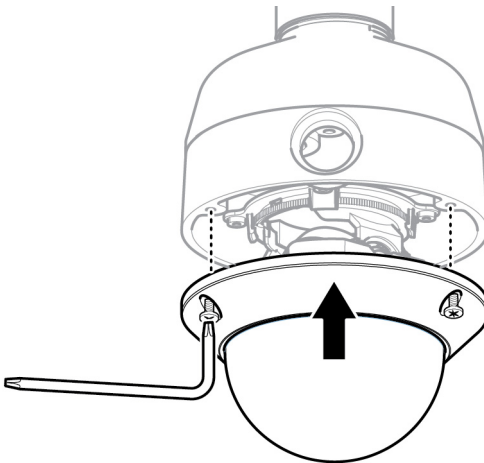


Figure 6. Installing the Lower Dome

Specifications

MODEL

FD5-P Pendant mount for use with FD5 Series outdoor dome cameras

MECHANICAL

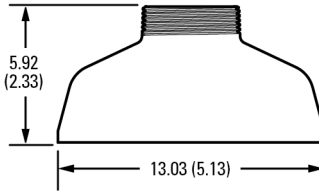
Mounting Method Attach the FD5-P to a mount with 1.5-inch NPT pipe

GENERAL

Construction Cast aluminum
Finish Powder coat, light gray
Unit Weight 0.34 kg (0.75 lb)



NOTE: VALUES IN PARENTHESES ARE INCHES; ALL OTHERS ARE CENTIMETERS.



REVISION HISTORY

Manual #	Date	Comments
C3975M	6/14	Original version.

Pelco, the Pelco logo, and other trademarks associated with Pelco products referred to in this publication are trademarks of Pelco, Inc. or its affiliates. All other product names and services are the property of their respective companies. ONVIF and the ONVIF logo are trademarks of ONVIF Inc. Product specifications and availability are subject to change without notice. © Copyright 2014, Pelco, Inc. All rights reserved.

WARRANTY STATEMENT

For information about Pelco's product warranty and thereto related information, refer to www.pelco.com/warranty.



This equipment contains electrical or electronic components that must be recycled properly to comply with Directive 2002/96/EC of the European Union regarding the disposal of waste electrical and electronic equipment (WEEE). Contact your local dealer for procedures for recycling this equipment.

PELCOTM

Pelco, Inc. 625 W. Alluvial Ave., Fresno, CA 93711 United States
USA & Canada Tel (800) 289-9100 Fax (800) 289-9150
International Tel +1 (559) 292-1981 Fax +1 (559) 348-1120
www.pelco.com