

Product data sheet

Specifications



regulated SMPS, single phase,
100..240 V input, 24 V output, 60
W

ABL1REM24025

⚠ Discontinued on: Feb 17, 2021

⚠ Discontinued

Product availability: Non-Stock - Not normally stocked in distribution facility

Main

| | |
|-----------------------------|--|
| Range of Product | Phaseo Dedicated |
| Product or Component Type | Power supply |
| Power supply type | Regulated switch mode |
| Kw Rating | 60 W |
| Main Input Voltage | 100...240 V AC single phase 120...370 V DC |
| Output voltage | 24 V DC |
| Power supply output current | 2.5 A |
| Operating position | Any position |
| Vibration resistance | 2 gn 9...150 Hz)EN/IEC 61131-2 3.5 mm 5...9 Hz)EN/IEC 61131-2 |
| Name of test | Conducted interference EN 61000-4-8 level 4 Electrostatic discharges EN/IEC 61000-4-2 level 3 Induced electromagnetic field EN/IEC 61000-4-6 level 3 Radiated electromagnetic field EN/IEC 61000-4-3 level 3 Rapid transient IEC 61000-4-4 level 3 Conducted/radiated emissions EN 55022 Class B Conducted/radiated emissions EN/IEC 55011 Emission EN/IEC 61000-6-3 Primary outage IEC 61000-4-11 Surge EN/IEC 61000-4-5 |

Complementary

| | |
|--------------------------|---------------------------------------|
| Input voltage limits | 85...264 V |
| Network Frequency | 47...63 Hz |
| Inrush current | 50 A 115 V AC 100 A 230 V AC |
| Cos phi | 0.65 |
| Efficiency | 80 % |
| Power dissipation in W | 15 W |
| Current consumption | 1 A 240 V 2 A 100 V |
| Input protection type | Integrated fuse (not interchangeable) |
| Output voltage limits | 21.6...26.4 V |
| Line and load regulation | +/- 3 % |

Price is "List Price" and may be subject to a trade discount – check with your local distributor or retailer for actual price.

| | |
|--|--|
| Holding time | >= 10 ms 100 V >= 40 ms 240 V |
| Output protection type | Against overload 1.1...1.5 x In Against overvoltage tripping if U > 1.25 x Un Against short-circuits automatic reset Thermal |
| Connections - terminals | Ground connection screw type terminals 1 x 4 mm ² AWG 12 Input connection screw type terminals 2 x 4 mm ² AWG 12 Output connection screw type terminals 2 x 4 mm ² AWG 12 |
| Marking | CE |
| Mounting Support | Reversible mounting bracket Panel |
| Operating altitude | 6561.68 ft (2000 m) |
| Output coupling | Parallel Series |
| Overvoltage category | II |
| Meantime between failure [MTBF] | 100000 h 104 °F (40 °C) |
| Status LED | 1 LED (Green) output voltage |
| Product Weight | 0.97 lb(US) (0.44 kg) |

Environment

| | |
|--|--|
| Product Certifications | TUV 60950-1 UL 508 cCSAus RCM KC CSA 22-2 No 60950-1 EAC |
| Environmental characteristic | EMC EN 50081-1 EMC EN 50082-2 EMC EN 61000-6-3 EMC EN/IEC 61000-6-2 Safety EN/IEC 60950-1 Safety SELV |
| IP degree of protection | IP20 conforming to EN/IEC 60950 |
| Ambient air temperature for operation | 32.0000000000...113.0000000000 °F (0...45 °C) without derating) 113...140 °F (45...60 °C) with derating factor) |
| Ambient Air Temperature for Storage | -13...185 °F (-25...85 °C) |
| Relative humidity | 20...90 % |
| Overvoltage category | Class I VDE 0106-1 |
| Pollution degree | 2 |
| Dielectric strength | 1500 V between input and ground 3000 V between input and output 500 V between output and ground |

Ordering and shipping details

| | |
|--------------------------|---------------|
| Category | US1CP1222524 |
| Discount Schedule | CP12 |
| GTIN | 3389110638202 |
| Returnability | No |
| Country of origin | US |

Packing Units

| | |
|------------------------------|------------------|
| Unit Type of Package 1 | PCE |
| Number of Units in Package 1 | 1 |
| Package 1 Height | 2.2 in (5.5 cm) |
| Package 1 Width | 4.7 in (12 cm) |
| Package 1 Length | 9.3 in (23.5 cm) |
| Package 1 Weight | 19.5 oz (552 g) |

Contractual warranty

| | |
|----------|-----------|
| Warranty | 18 months |
|----------|-----------|

Sustainability

Green Premium™ label is Schneider Electric's commitment to delivering products with best-in-class environmental performance. Green Premium promises compliance with the latest regulations, transparency on environmental impacts, as well as circular and low-CO₂ products.

Guide to assessing product sustainability is a white paper that clarifies global eco-label standards and how to interpret environmental declarations.

[Learn more about Green Premium >](#)

[Guide to assess a product's sustainability >](#)



Transparency RoHS/REACH

Well-being performance

Mercury Free

Rohs Exemption Information [Yes](#)

Pvc Free

Certifications & Standards

Eu Rohs Directive [Pro-active compliance \(Product out of EU RoHS legal scope\)](#)

China Rohs Regulation [China RoHS declaration](#)

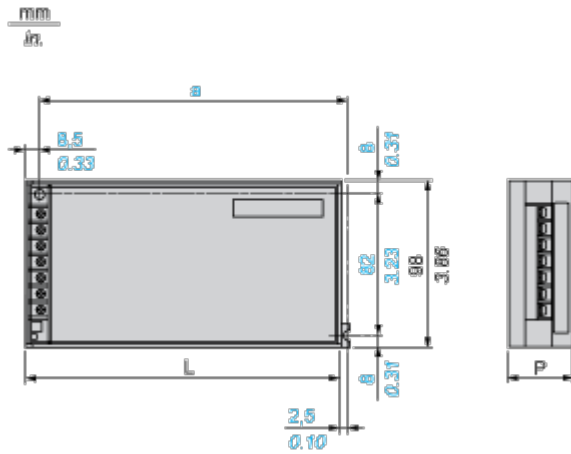
Environmental Disclosure [Product Environmental Profile](#)

Circularity Profile [End of Life Information](#)

California Proposition 65 **WARNING:** This product can expose you to chemicals including: Lead and lead compounds, which is known to the State of California to cause cancer and birth defects or other reproductive harm. For more information go to www.P65Warnings.ca.gov

Dimensions Drawings

Dimensions



Dimensions in mm

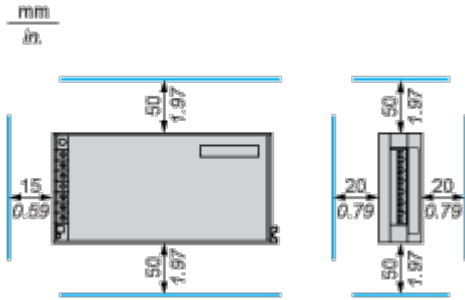
| a | L | P |
|-----|-----|----|
| 144 | 150 | 38 |

Dimensions in in.

| a | L | P |
|------|------|------|
| 5.67 | 5.91 | 1.50 |

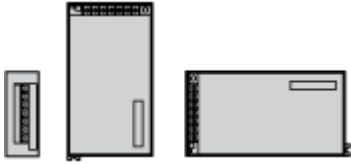
Mounting and Clearance

Clearance



Mounting Way

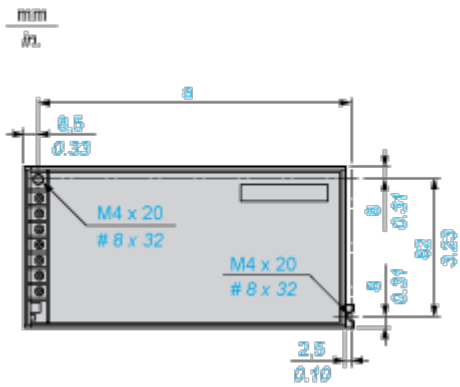
Mounting on Vertical Plane



Mounting on Horizontal Plane



Direct Mounting by 2 M4 x 20 Screws



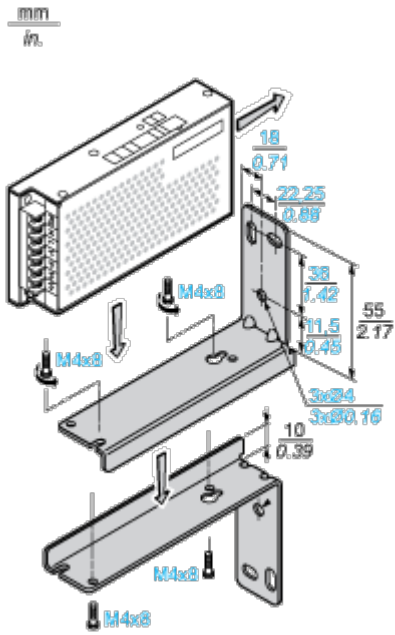
Dimensions in mm

| |
|-----|
| a |
| 144 |

Dimensions in in

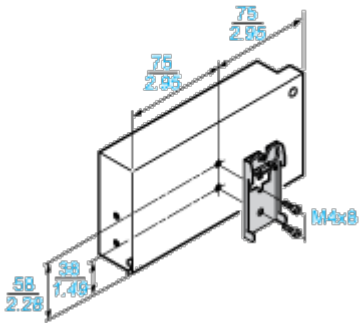
| |
|------|
| a |
| 5.67 |

Mounting on the Back on ABL 1A01 Reversible Bracket by Three 4 mm Diameter Screws

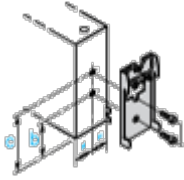


Mounting on ABL 1A02 Clip-on Mounting on 35 mm Rail

mm
in.



Mounting by the Back



Dimensions in mm

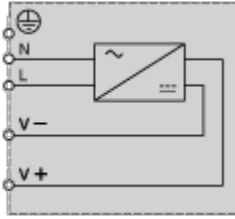
| b | c |
|----|----|
| 38 | 58 |

Dimensions in in.

| b | c |
|------|------|
| 1.50 | 2.28 |

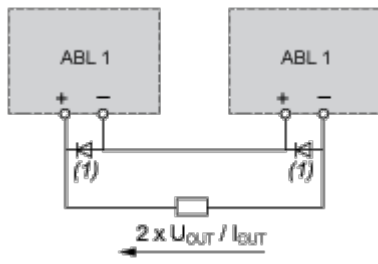
Connections and Schema

Internal Wiring Diagram

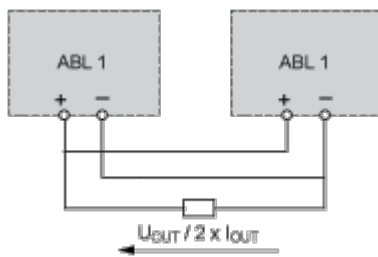


Series or Parallel Connection

Series Connection



Parallel Connection

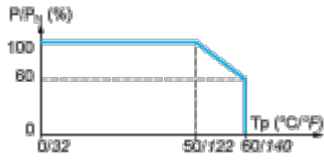


(1) 8 A/100 V Shottky diode

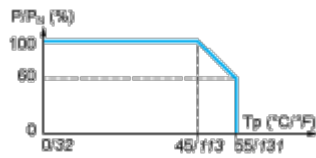
Performance Curves

Derating Curves

Mounting on Vertical Plane



Mounting on Horizontal Plane



Load Limits Curve

